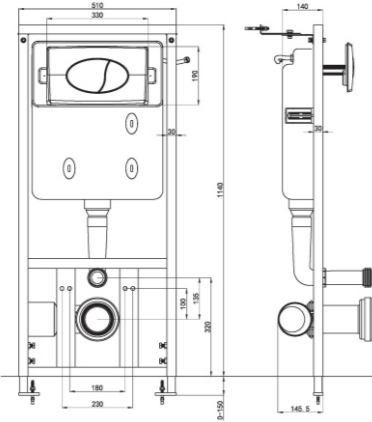


CONCEALED WC CISTERNS



20 GP Container	304 pcs
40 GP Container	608 pcs
40 HQ Container	739 pcs

Box Size	510x130x1140mm
----------	----------------



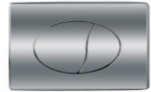
Ref: BRCT01
 Installed Size: 510 x 140 x 1140(+150) mm.
 Tank Material: HDPE (High-density polyethylene).
 Actual Displacement: Whole volume approx. 6.5L (adjustable).
 Half volume approx. 4L (adjustable).
 Operation Mode: Push button Control.
 Operation Panel Size: 330 x195mm.
 Operation Panel Material: ABS or Stainless Steel.
 Operation Panel Finish: Plain White, Chromed and Polished Stainless Steel.
 Suitable for 170mm dry wall or pre-casted wall.



Plastic (ABS) White BRPRS01



Plastic (ABS) Chrome BRPRS02



Stainless Steel (Polished) BRPRS03



WALL HUNG WC SUPPORT FRAMES FEATURES & BENEFITS

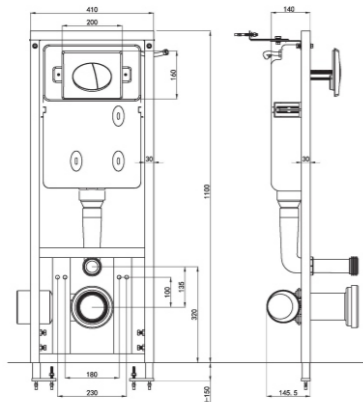
Coated steel frame
 Large feet for easy rear fixing

Supplied complete with all fittings for installation
 Dual flush cistern
 Adjustable feet with rubber sound deadening pads
 Easy install wall brackets.

20 GP Container	354 pcs
40 GP Container	708 pcs
40 HQ Container	860 pcs

Box Size	420x160x1190mm
----------	----------------

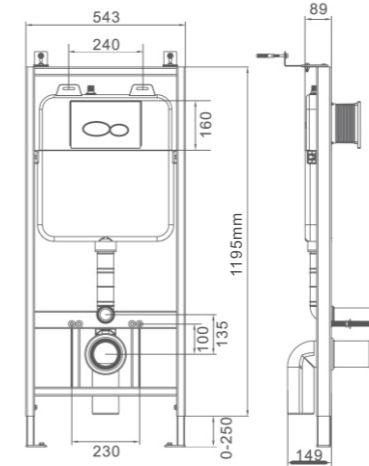
Ref: BRCT02
 Installed Size: 410 x 140 x 1100(+150)mm.
 Tank Material: HDPE (High-density polyethylene).
 Actual Displacement: Whole volume approx. 6.5L (adjustable).
 Half volume approx. 4L (adjustable).
 Operation Mode: Push button Control.
 Operation Panel Size: 200 x160mm.
 Operation Panel Material: ABS.
 Operation Panel Finish: Plain White and Chromed.
 Suitable for 170mm dry wall or pre-casted wall.



Plastic (ABS) White BRPP01



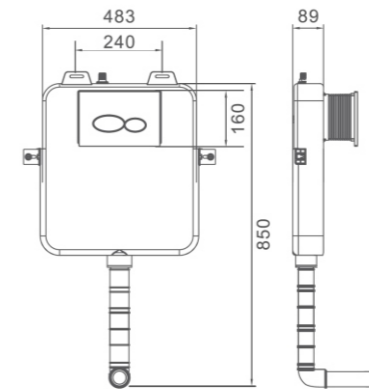
Plastic (ABS) Chrome BRPP02



Ref: BRCT03
 Installed Size: 53 x 89 x 1195(+250) mm.
 Tank Material: HDPE (High-density polyethylene).
 Actual Displacement: Whole volume approx. 6.5L (adjustable).
 Half volume approx. 4L (adjustable).
 Frame Bearing Strength : 300kg
 Operation Mode: Push button Control.
 Operation Panel Size: 240 x160mm.
 Operation Panel Material: ABS or Stainless Steel.
 Operation Panel Finish: Painted, Polished and Brushed.
 Suitable for 140mm dry wall or pre-casted wall.

20 GP Container	237 pcs
40 GP Container	474 pcs
40 HQ Container	576 pcs

Box Size	580x167x1220mm
----------	----------------



Ref: BRCT04
 Installed Size: 438 x 89 x 850 mm.
 Tank Material: HDPE (High-density polyethylene).
 Actual Displacement: Whole volume approx. 6.5L (adjustable).
 Half volume approx. 4L (adjustable).
 Operation Mode: Push button Control.
 Operation Panel Size: 240 x160mm.
 Operation Panel Material: ABS or Stainless Steel.
 Operation Panel Finish: Painted, Polished and Brushed.
 Suitable for 140mm dry wall or pre-casted wall.

20 GP Container	636 pcs
40 GP Container	1272 pcs
40 HQ Container	1545 pcs

Box Size	525x105x800mm
----------	---------------

Available Plates/Panels Selection For BRCT03 and BRCT04



Plastic (ABS) White BRPLS01



Plastic (ABS) Silver Paint BRPLS02



Stainless Steel (Polished) BRPLS03



Stainless Steel (Brushed) BRPLS04



Plastic (ABS) Golden Paint BRPLS05



Plastic (ABS) White BRPLR01



Plastic (ABS) Silver Paint BRPLR02



Stainless Steel (Polished) BRPLR03



Stainless Steel (Brushed) BRPLR04



Plastic (ABS) Golden Paint BRPLR05